



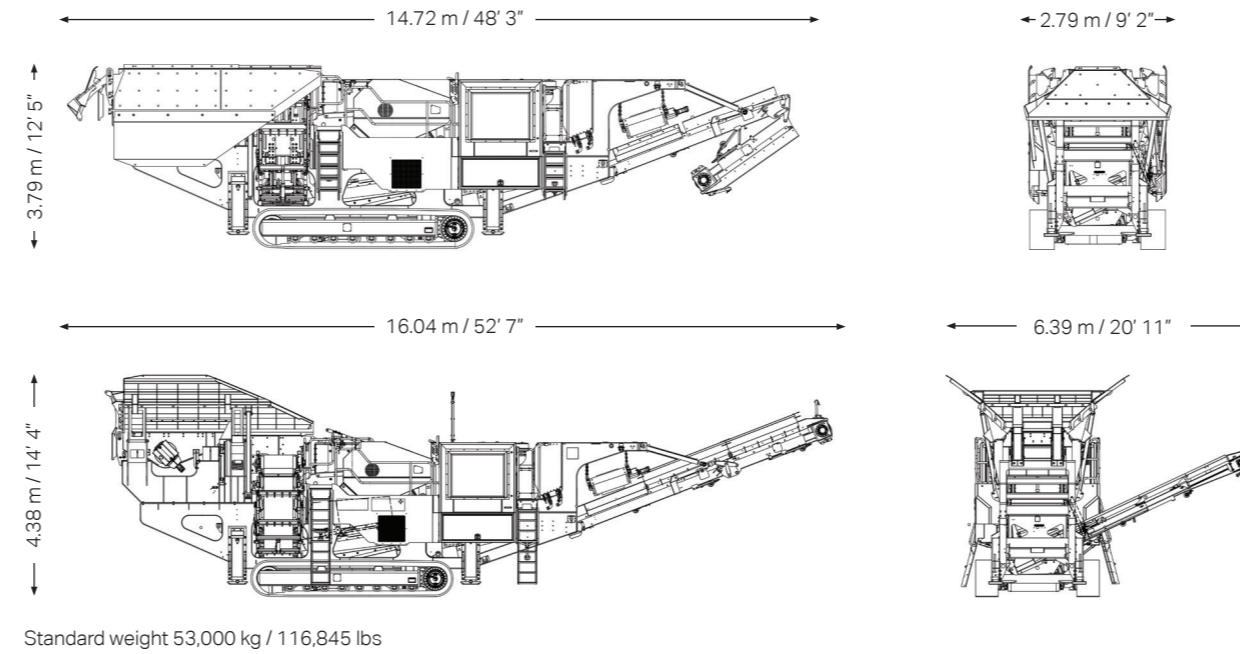
# SANDVIK QJ341+ JAW CRUSHER

A WORLD LEADING JAW CRUSHER

## TECHNICAL SPECIFICATIONS

QJ341+	DATA	QJ341+	DATA
Crusher		Power pack	
Type	Single toggle C12 jaw crusher	Engine	CAT C9.3B Stage 5 / T4F 280 kW / 375 hp CAT C9 T3 261 kW / 350 hp CAT NR4 (China) 280kW / 375hp
Feed opening	1.20 m x 750 mm / 47" x 29"	Diesel tank capacity	660 litres / 174 USG
Speed	264 - 283 rpm	Hydraulic tank capacity	660 litres / 174 USG
Adjustment type	Hydraulic wedge		
CSS range	50 - 160 mm / 2" - 6"		

Note. All weights and dimensions are for standard units only



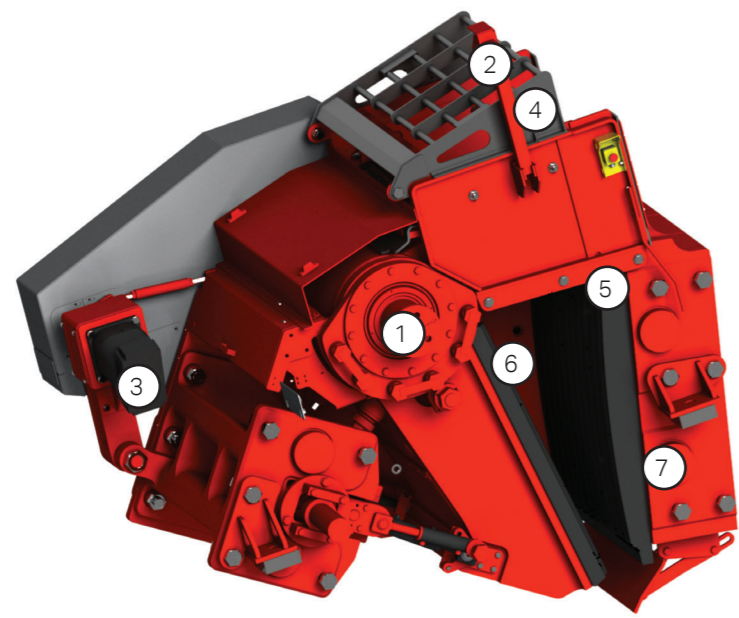
BE-460 ENG © Sandvik Mobile Crushing and Screening 2023 SANDVIK is a registered trademark owned by Sandvik Intellectual Property AB in Sweden and other countries. Subject to change without notice.

1 Heavy duty shaft and bearings with automatic greasing system as standard

2 Level sensor to optimize feed rate into the crusher

3 Heavy duty torque arm and bent axis motor enable easy belt adjustment

4 Jaw guard to withstand heavy forces of ejected material from the jaw



5 Optitooth™ jaw plates fitted as standard

6 Extended cheek plates to reduce blockages in chamber and add rigidity and strength to crusher feed chute

7 Bolted mainframe for maximum strength and durability

ROCKPROCESSING.SANDVIK

The material in this brochure is of general application for information and guidance only, and no representation or warranty is made or given by the manufacturer that its products will be suitable for a customer's particular purpose and enquiry should always be made of the manufacturer to ensure such suitability. Whilst every effort has been made in the preparation of this document to ensure its accuracy, the manufacturer assumes no liability resulting from errors or omissions in this document, or from the use or interpretation of the information contained herein. The manufacturer reserves the right to make changes to the information in this brochure and the product design without reservation and without notification to users.



# QJ341+ JAW CRUSHER

KEY SPECIFICATIONS	DATA
Equipment	Single toggle C12 jaw crusher
Feed opening	1.20 m x 750 mm / 47" x 29"
Maximum feed size	650 mm <sup>3</sup> / 25.6 inch <sup>3</sup>
Engine	CAT C9.3B Stage 5 / T4F 280 kW / 375 hp CAT C9 T3 261 kW / 350 hp CAT NR4 (China) 280kW / 375hp
Transport dimensions	14.72 m / 48' 3" (l) 2.79 m / 9' 2" (w) 3.79 m / 12' 5" (h)
Weight	53,000 kg / 116,845 lbs

## WORLD LEADING JAW CRUSHER SERIES

The QJ341+ jaw crusher comes equipped with a primary pan feeder, double deck independent pre-screen and extended telescopic natural fines conveyor as standard. The pre-screen features a stepped grizzly, under screen mesh and carrying rubber. This system has been designed to work with the most difficult and robust material. Greater efficiency, reduced wear and ultimately higher productivity will result in applications with high fines content or sticky materials.

Our QJ341+ shares the same key characteristics as the standard model. These include hydraulic adjustment, reversible jaw and hydraulic drive to enable the crusher to start under load, thereby minimizing downtime. Additional features of the QJ341+ include a telescopic natural fines conveyor with an increased discharge height and a three position by-pass chute to increase flexibility in material distribution. A new design of self-locking hopper has also been incorporated for safe and easy set-up from ground level.

With its large feed opening and unique crushing geometry our QJ341+ will offer you a reliable, durable and high performance mobile jaw crusher like no other.

### FEATURES INCLUDE:

- Double deck pre-screen for efficient removal of fines
- Emissions compliant engine, plant designed for optimum fuel economy and low operating costs
- Automatic central lubrication system to reduce maintenance time
- Reverse crushing action to relieve blockages, crush sticky problematic materials and asphalt
- Full PLC control system and colour screen allowing visual data output of all plant operating parameters
- Natural fines conveyor water pump and spray bar system for environmental dust suppression

- 2 Primary Pan Feeder**
- Large capacity fully lined heavy duty primary pan feeder
  - Automatic load control system to co-ordinate flow of material to the pre-screen

- 3 Pre-Screen**
- Highly efficient double deck pre-screen
  - Choice of top deck and screen media
  - Three position by-pass chute to increase flexibility in material distribution
  - Steep dirt chute for faster fines transfer, also increasing the ability to deal with sticky material

- 1 Hopper**
- Self-locking hopper for quick and safe set-up from ground level
  - Reinforced hopper sides with adjustable steel support beams
  - Wear resistant liner plates

- 4 Jaw**
- High performing 1.20 m x 750 mm / 47 x 29" jaw
  - Hydraulically adjustable CSS for a variety of applications
  - Hydraulically driven with reversible crushing action to relieve blockages and for crushing asphalt
  - Jaw level sensor included for optimum regulation of material flow into the crusher
  - Optitooth™ jaw plates for extended life, increased throughput and reduced fuel consumption

- 5 Power pack**
- Emission compliant engine
  - Easy access to engine compartment for service and maintenance
  - Ground level drainage points
  - Large capacity 660 litre / 174 USG diesel tank
  - My Fleet telematics with 7 year data subscription

- 6 Cooling fan**
- Efficient variable speed hydraulically driven cooling fan with auto reverse to back flush dust from radiator

- 7 Main conveyor**
- 1.00 m / 39" wide conveyor with a discharge height of 3.89 m / 12' 9"
  - Hydraulic raise / lower facility to give increased clearance for rebar discharge in recycling applications
  - Low drag conveyor for maximum power transfer and efficiency
  - Highly efficient radial piston and bent axis motors fitted to reduce hydraulic flow rates, increase efficiency and torque
  - Tunnel arrangement to reduce catchment points in recycled materials
  - Speed wheel fitted to the main conveyor to stop the feeder
  - Overband magnet removes rebar for recycling and demolition applications
  - Dust suppression spray bars fitted as standard
  - Canvas covers

- 8 Chassis**
- Heavy duty fabricated chassis on a tracked frame
  - Hydraulic legs for increased stability and servicing capabilities

- 12 Natural fines conveyor**
- Telescopic natural fines conveyor with a discharge height of 3.12 m / 10' 3"
  - Belt width 650 mm / 26"

- 11 Steel pipework**
- Provides a safe and maintenance-free sealing solution, combined with better heat dissipation

- 10 Tracks**
- 500 mm / 20" wide tracks driven by proportional umbilical control
  - Radio control proportional tracking as standard

- 9 Control system (other side of machine)**
- Highly efficient hydraulic system
  - User friendly PLC control system with colour screen for full automated control



### STANDARD FEATURES



Double deck pre-screen



User friendly PLC control system with colour screen



Telescopic natural fines conveyor



Easy access to engine department



Three position by-pass chute



Long main conveyor for massive stockpiling