

SANDVIK

SANDVIK BR999i HYDRAULIC BREAKER

TECHNICAL SPECIFICATION

Sandvik BR999i Small range breaker can be utilized in many different applications, thanks to its versatility, efficiency and ability to be mounted on a wide range of carriers. The equipment can accept a wide range of oil flows and tolerate high back pressures, ensuring productivity in the most challenging environments.

The Sandvik BR999i is reliable and durable with long wear times on all parts. Membrane-type accumulator assists with power strokes while protecting against hydraulic spikes. This enables consistently high productivity while maintaining stability and safety.

Field replaceable tool bushing and a low-maintenance design ensure optimum breaker uptime, and the fact that all parts are readily available ensures they are easy to replace. The BR999i is highly efficient with low operating costs.

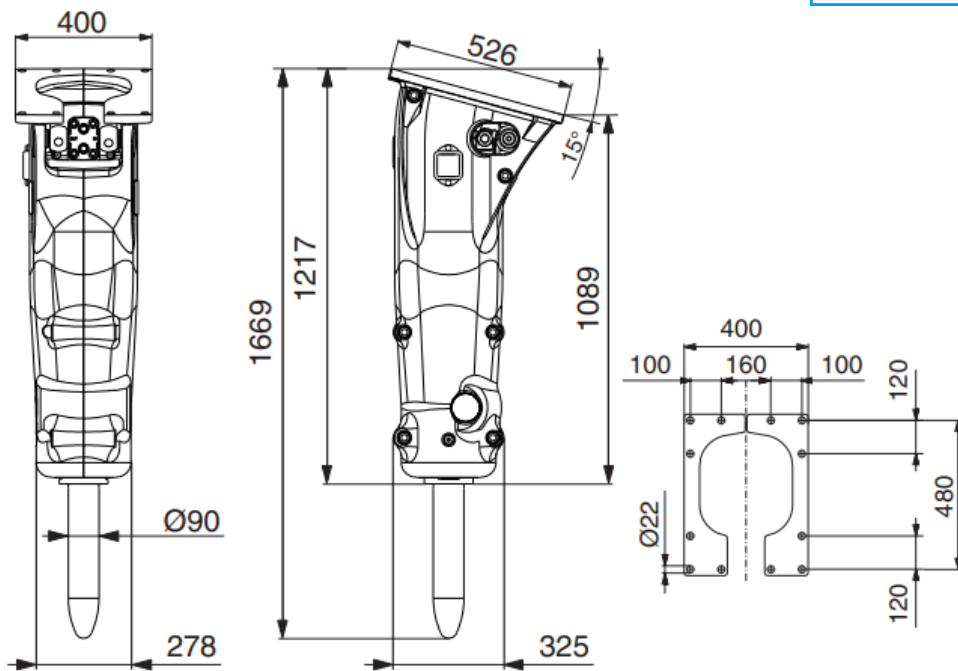
The BR999i is designed for primary and secondary demolition, boom mounted applications, trenching, landscaping, ground compacting, recycling and cutting of asphalt or frozen ground.

Sandvik also offers two special models in the BR999i size class. **Scaler** is designed for demanding scaling applications and equipped with automatic greasing and air channels that protect the breaker's internal parts against dust. **Heavy Duty** breakers are developed for harsh conditions and high wear applications.

KEY FEATURES AND ADVANTAGES

- Twin handed, smart
- High pressure membrane accumulator
- Vibration and sound suppressed
- Flange mounting
- CBE+ (Constant Blow Energy plus) gives consistent performance
- No tie rods
- Single part tool bushing retained with shared tool pin
- RD3 incl. MyFleet (as standard)
- Broad carrier range gives the equipment real versatility





TECHNICAL SPECIFICATION BR999i

Minimum working weight, flange mounted, kg (lb)	505 (1110)
Impact rate, bpm	500-1700
Operating pressure, bar (psi)	100-140 (1450-2030)
Pressure relief, max bar (psi)	220 (3190)
Oil flow range, l/min (gal/min)	50-150 (13.2-39.6)
Back pressure, max bar (psi)	20 (290)
Input power, kW (hp)	35 (47)
Tool diameter, mm (in)	90 (3.54)
Mini excavator weight, allowed range t (lb)	5.8-13.0 (12800-28700)
Skid steer, robot weight, allowed range t (lb)	3.9-8.7 (8600-19200)
Noise level, measured sound power level, LWA dB	123
Noise level, guaranteed sound power level, LWA dB	127

*Disclaimer: Please contact a Sandvik representative for clarification on specifications and options. Sandvik reserves the right to make changes to the information on this data sheet without prior notification to users.