

SANDVIK

SANDVIK BR9033i HYDRAULIC BREAKER

TECHNICAL SPECIFICATION

Sandvik BR9011i has been designed using a revolutionary operating principle that incorporates stroke length, blow energy and Sandvik idle blow protection, allowing the breaker to be modified to match individual needs and improving hydraulic efficiency and safety.

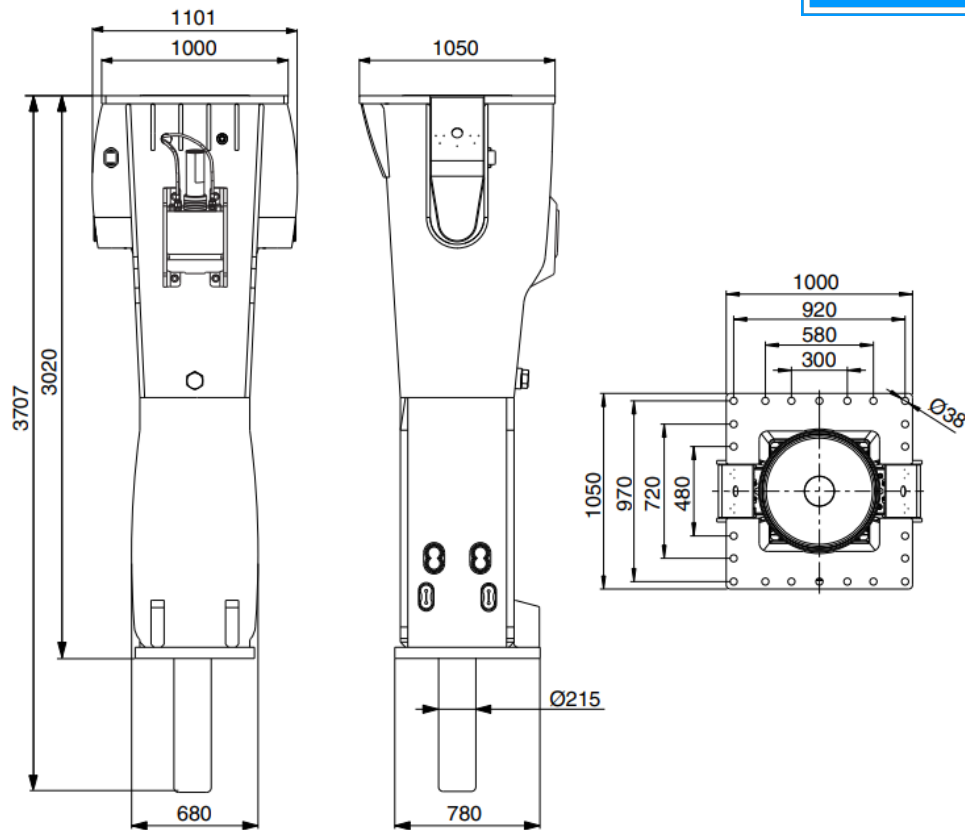
The BR9033i unites all the key features into a powerful, durable and reliable package. Robust housing includes heavy-duty wear plates for optimal breaker protection and noise dampening and offers a longer housing time even in the harshest of applications. In-the-field rotatable and replaceable lower tool bushing allows to minimize operating costs.

The BR9033i delivers massive impact energy and high blow frequency for an exceptional power-to-weight ratio. It is designed for primary and secondary breaking, underwater breaking, trenching, primary and secondary demolition, tunneling and metallurgical industry.

KEY FEATURES AND ADVANTAGES

- Indexable power cell (left or right handed)
- High pressure membrane accumulator
- Service access to high pressure membrane accumulator
- Vibration and sound suppressed
- Super Duty housing (sharp corners)
- Stone claws on housing
- Optimized hydraulic connection points towards carrier
- FBE (Fixed Blow Energy) for optimum productivity
- RamValve to protect against premature failure
- IBP (Idle Blow Protection) adjustment in the field
- Stroke selector
- VIDAT (Vibration Dampened) tie rods for better reliability and longer working life
- Fast-change tool system
- Field replaceable lower tool bushing
- Ramlube I automatic tool greasing system carrier mounted (optional)
- Ramlube II automatic tool greasing system carrier mounted (optional)
- RD3 incl. MyFleet (as standard)
- Air connection
- Ramair (optional)





TECHNICAL SPECIFICATION BR9033i

Minimum working weight, flange mounted, kg (lb)	7400 (16310)
Impact rate, Long stroke bpm	300-520
Impact rate, Short stroke	355-645
Operating pressure, bar (psi)	170-180 (2465-2610)
Pressure relief, min bar (psi)	230 (3335)
Pressure relief, max bar (psi)	240 (3480)
Oil flow range, l/min (gal/min)	360-460 (95.1-121.5)
Back pressure, max bar (psi)	10 (145)
Input power, kW (hp)	138 (185)
Tool diameter, mm (in)	215 (8.46)
Carrier weight, allowed range t (lb)	65-120 (143300-264600)
Noise level, measured sound power level, LWA dB	127
Noise level, guaranteed sound power level, LWA dB	131

*Disclaimer: Please contact a Sandvik representative for clarification on specifications and options. Sandvik reserves the right to make changes to the information on this data sheet without prior notification to users.